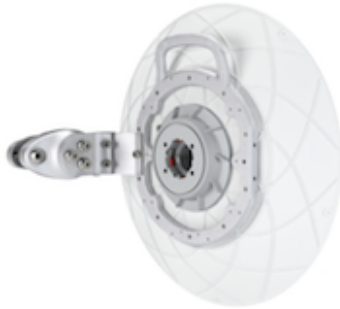


# RFelements UltraDish TP 380 5Ghz 24dbi RF ELEMENTS



**Kode** : ULD-TP-380

**Brand** : RF elements

**Jenis** : Wireless Antenna


**Harga** : Rp 200.000,00

Rp 1.740.000,00

UltraDish TP Antennas are high-gain directional parabolic antennas with a lossless TwistPort connector. The antennas are highly directional and have suppressed sidelobes for ultimate performance.

Paket ini hanya terdiri dari unit antenna saja belum termasuk wireless Access Point.

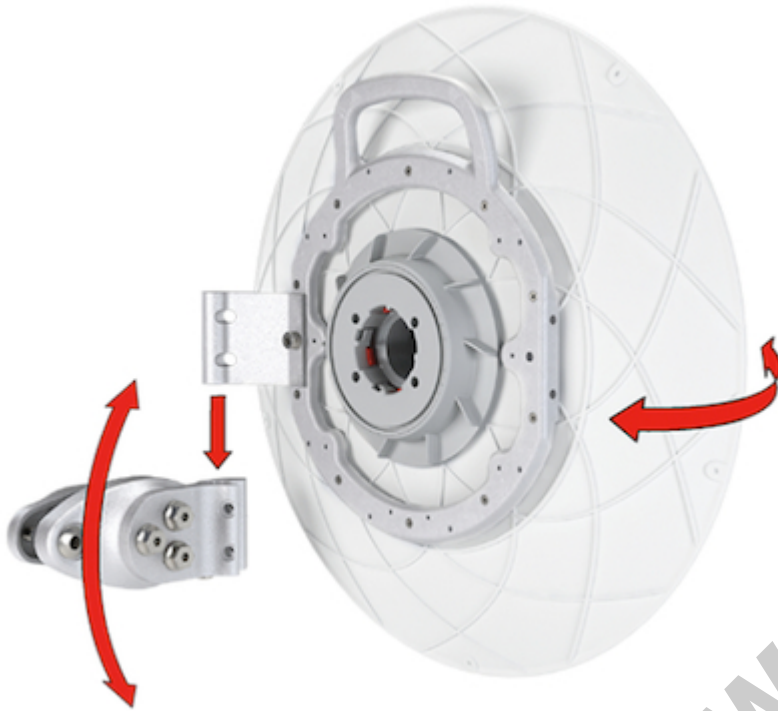
Penawaran Harga Spesial

 08112039555

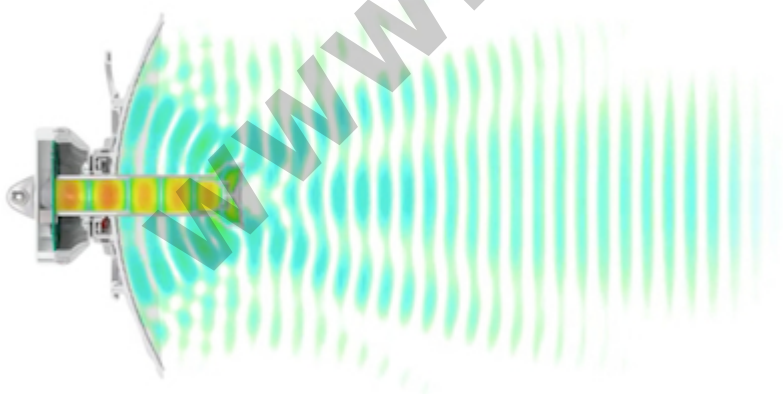
**UltraDish™ TP 380**



UltraDish™ TP 380's are designed for CPE or PtP connections. The antenna reflector is made of die-cast aluminum to ensure a very uniform shape. Our virtually lossless TwistPort™ connector guarantees easy radio deployment and maintenance.



Antenna installation is extremely easy and ensures rapid deployment for large scale projects. Our innovative antenna mount fits a wide range of pole diameters and can be easily swapped for right or left side mounts. A single HEX tool is all you need to perform your installation.



Suppressed sidelobe radiation reduces interferences and enables installation in areas with high noise levels. The gain of UltraDish TP antennas is achieved by focusing the signal delivered via the TwistPort waveguide connector. UltraDish TP 380 provides a 24dBi gain and an 8° (-3dB) beamwidth.



**COMPATIBLE WIRELESS PLATFORMS :** any TwistPort™ Adaptor with TwistPort™ connector  
any SIMPER™ Radio with TwistPort™ connector

**PERFORMANCE :**

Gain : 24 dBi

Azimuth Beam Width -6 dB : H 12° / V 12°

Elevation Beam Width -6 dB : H 12° / V 12°

Azimuth Beam Width -3 dB : H 8° / V 8°

Elevation Beam Width -3 dB : H 8° / V 8°

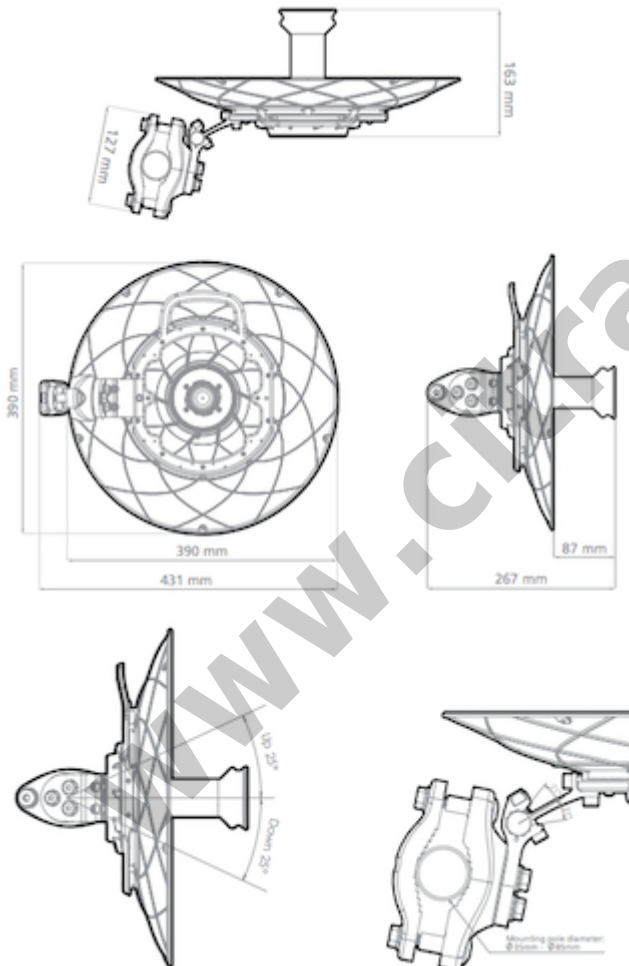
Front-to-Back Ratio (Min) : 24 dB

**SPESIFIKASI TEKNIS :**

Antenna Connection : TwistPort™ - Quick Locking Waveguide Port

Antenna Type : Parabolic Dish

Frequency Range : 5100 - 6000 MHz  
Environmental : IP65  
Pole Mounting Diameter : 15-86 mm  
Temperature : -40 to +60 °C (-40°F to +140°F)  
Wind Survival : 160 Km/h  
Weight : 2.9 Kg / 6.4 lbs - single unit incl. package  
Single Unit Retail Box : 46.5 x 43 x 12 cm



\* Harga, spesifikasi, dan ketersediaan bisa berubah dan tidak mengikat

URL : <https://www.citraweb.com/produk/574/>

Informasi lebih lanjut, pemesanan dan pembelian, hubungi: 0274-554444 atau email [sales@citraweb.com](mailto:sales@citraweb.com)

[www.citraweb.com](http://www.citraweb.com)