



StarterAdapter™ SMA

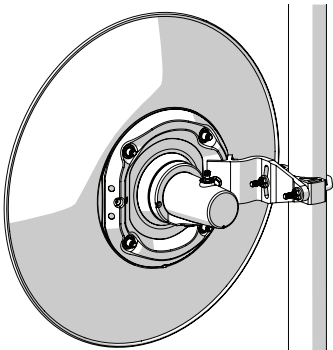
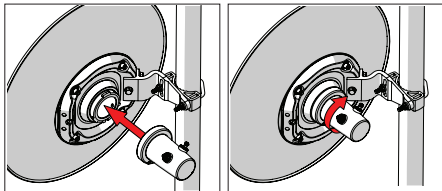
STA-SMA



StarterAdapter™ SMA

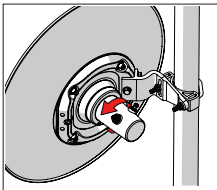
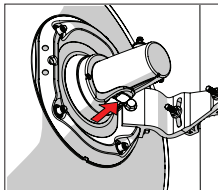
2

Installation Guide

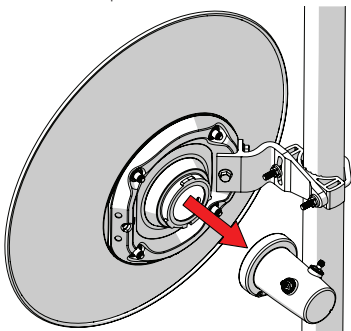


StarterAdapter™ SMA

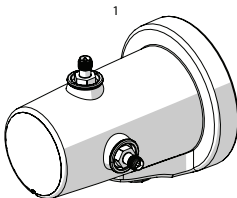
Uninstallation Guide



Pull the locking latch back and hold to release the adapter.



Package Contents



Number	Description	Quantity
1	StarterAdapter™ SMA	1x

Compatible Devices

For a list of compatible devices visit www.rfelements.com

RF elements® is trademark of RF elements s.r.o., Slovakia.

All rights of trademark owners reserved.



RF elements s.r.o.
Phone: +421 2 7333 7733
info@rfelements.com
www.rfelements.com